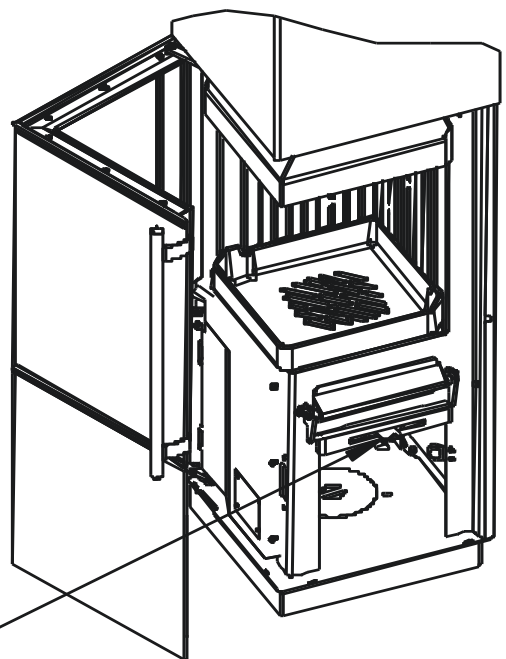
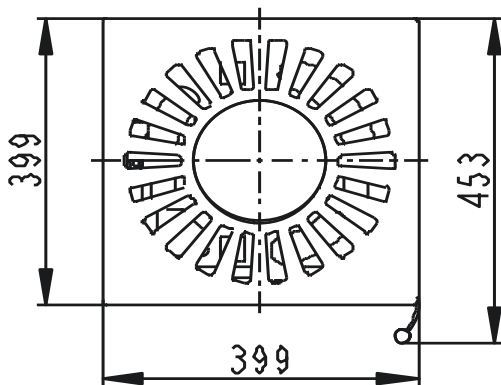
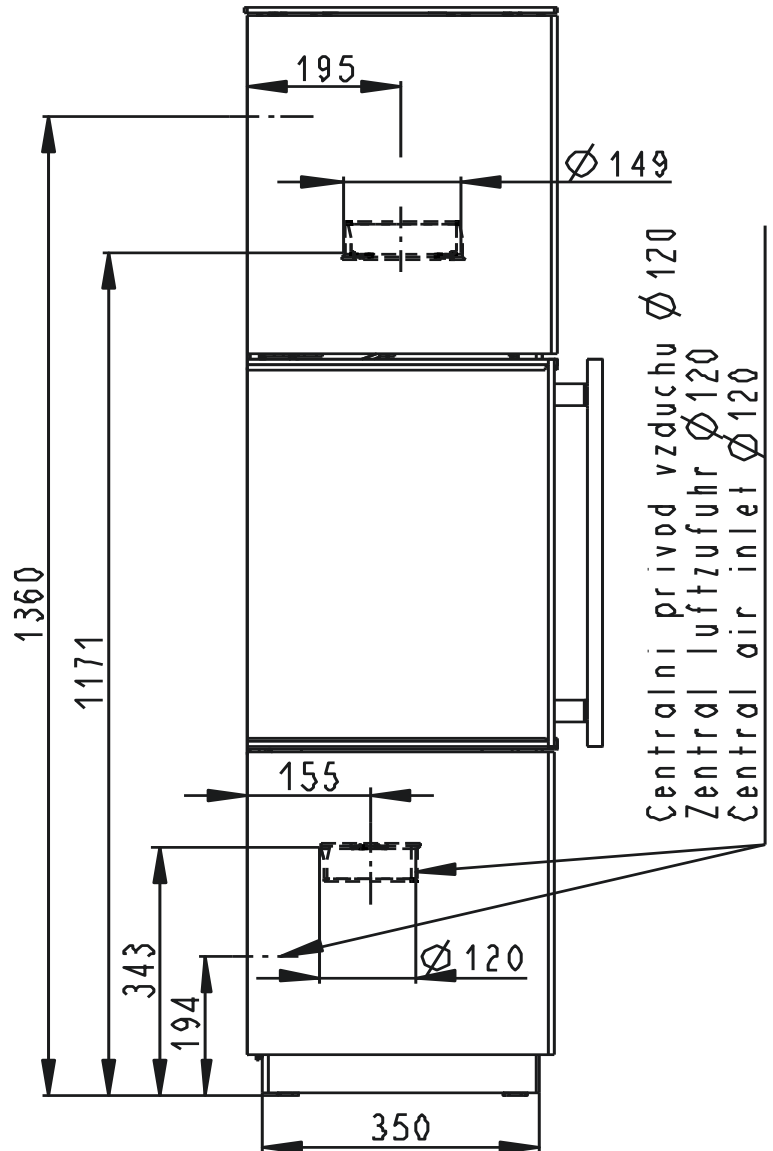
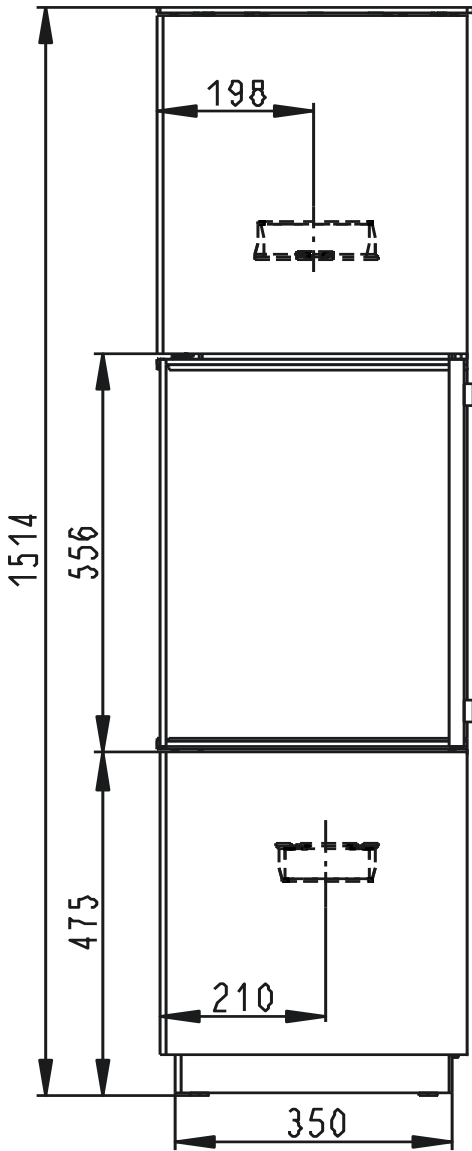


ESQUINA



Primarni a sekundarni vzduch
 Primarluft und sekundarluft
 Primary and Secondary air

| | |
|--------|---------|
| Artikl | ESQUINA |
|--------|---------|

General data

| | | |
|------------------------------------|-------------------|-------|
| Nominal heat output | kW | 4,5 |
| Efficiency | % | 82 |
| Mass of the test fuel fired hourly | kg/h | 1,4 |
| Dry flue gases mass flow | g/s | 3,6 |
| Mean flue gas temperature | °C | 298 |
| Flue draught | Pa | 12 |
| Weight | kg | 184 |
| CO ₂ | % | 11,06 |
| Dust O ₂ =13% | mg/m ³ | 19 |
| CO O ₂ =13% | mg/m ³ | 629 |

Recommended values

| | | |
|---|------|-----|
| Reg.output | kW | 3-8 |
| Max. mass of the test fuel fired hourly | kg/h | 3,0 |
| Flue gas connector diameter | mm | 150 |

Meets requirement limit values for

| | |
|------------|---|
| EN 13 240 | • |
| BImSch V 1 | • |
| BImSch V 2 | • |
| DIN plus | • |
| 15a B-VG | • |

Supplied accessories

| | |
|--------------------|---|
| Holder with magnet | • |
| Ashtray | • |